



# PLEXUS

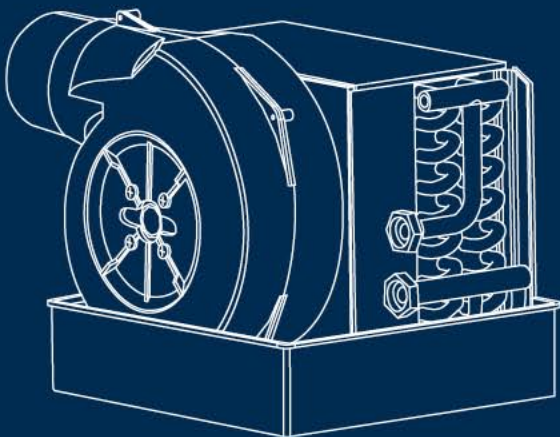
Marine HVAC Components for Boats and Yachts



## PLEXUS

Especially designed for reliability already known in commercial shipping and adapted to special demands on board of yachts PLEXUS water chillers and fan coil units within their capacity range set a new standard.

Robust, durable, very efficient and easy to maintain PLEXUS components of air conditioning systems are the ideal basis for unrivalled comfort on your yacht.



# PLEXUS

## Marine HVAC Components for Boats and Yachts



Split system with condensing unit and two fan coil units



Water chiller, sea water cooled



LCD control unit

### Key Benefits

- Compact and rigid design
- Extra deep drain pan with two drains for reliable condensate drain
- Frame and casing made of stainless steel 18/10 (AISI 304), partly electrostatically powder painted in glossy white
- Digital, programmable controller for automatic operation
- Sea water cooled condenser with Cu-Ni tubes for highest resistance against corrosion
- Water chillers with shell and tube type condensers
- Epoxy, hydrophilic coated aluminium fins
- Cooling mode plus alternative heating mode with reverse cycle (heat pump)
- Modular system for easy adaptation to all demands

Name of the Item	Air Volume Flow [m <sup>3</sup> /h]	Capacity [kW]
Self contained air conditioner, sea water cooled	200 - 1.250	1,3 - 7,2
Water chiller, sea water cooled	-	6,4 - 65
Condensing unit, sea water cooled	-	1,3 - 7,2
Fan coil unit, water cooled	150 - 1.200	1,1 - 7,0
Fan coil unit, direct expansion	200 - 1.250	1,2 - 7,2